

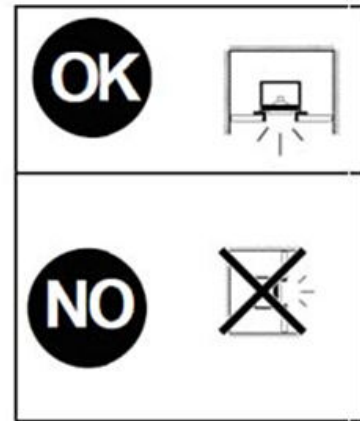
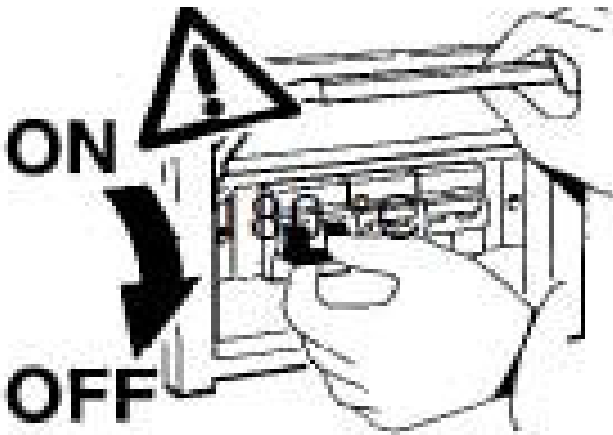
LED Downlight
Product Instruction Manual
5inch /6inch /8inch available

Note: To ensure device safety, please observe the operating instructions and placed in a safety places !

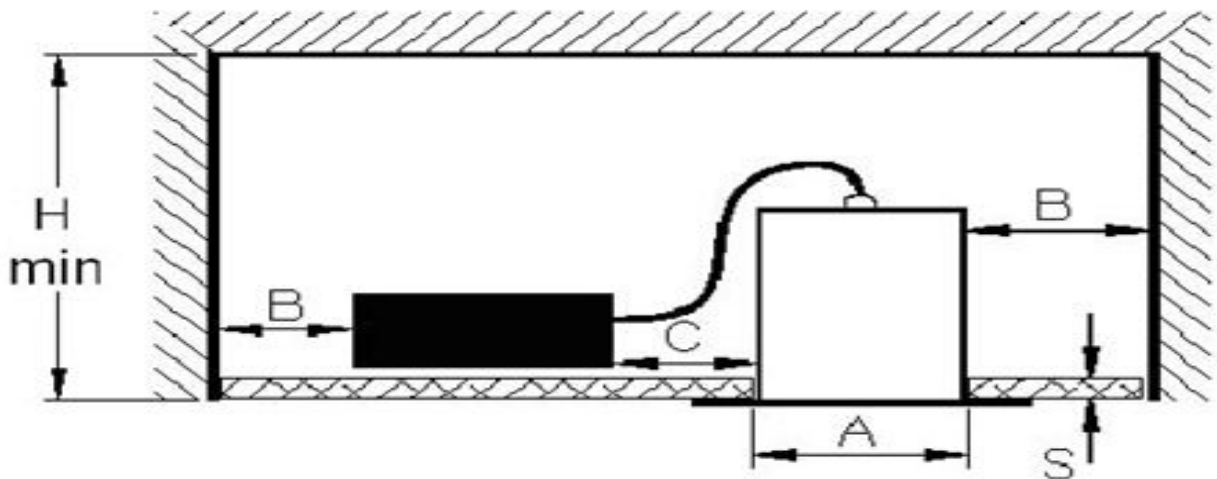
Note : This LED lamp is IP44 from front side , can be used in bathrooms and other need anti-fog places .

1. Cut off the power

2. Correct installation way as below



3. Determine the lighting installation location, cut-out (note the distance to the wall, refer to the drawing below):



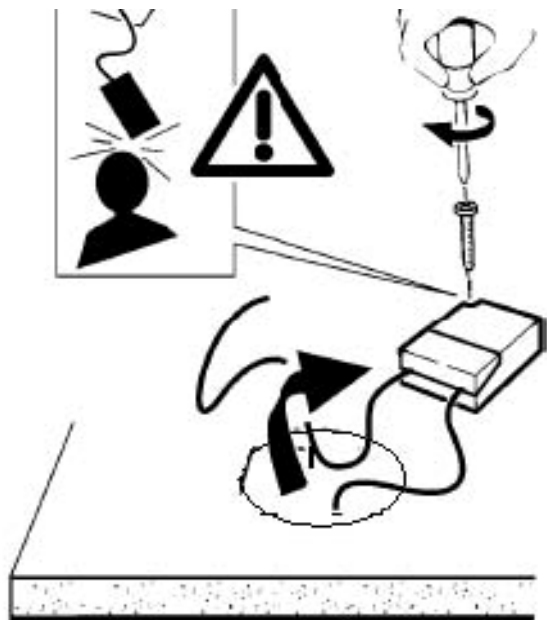
Figures suggested as below:

Item No.	H(mm)	A(mm)	B(mm)	C(mm)	S(mm)
5 inch	200	Φ 162	75	150	6-30
6 inch	200	Φ 184	75	150	6-30
8 inch	200	Φ 208	75	150	6-30

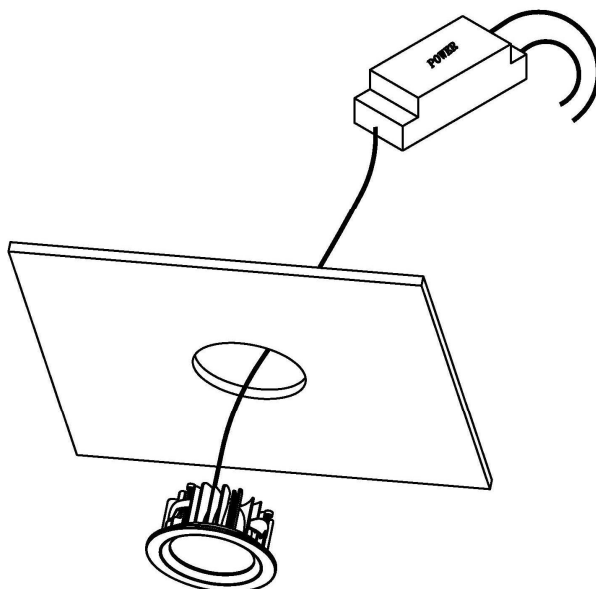


6. Connect the driver with the AC power wires firmly,

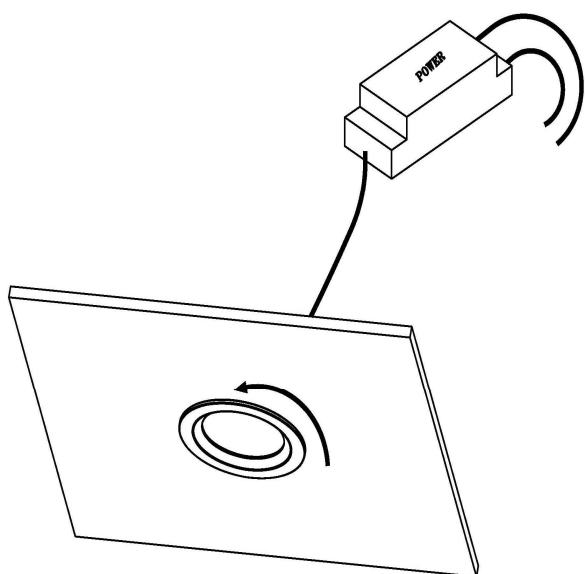
7. Put or fix the driver onto the ceiling, to prevent failing from the cut hole, avoid accidental injury to workers.



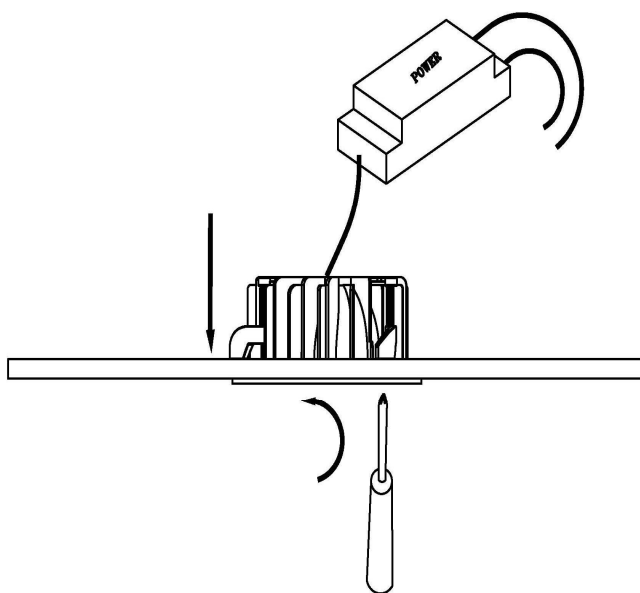
8. Connect the driver with the lamp, Attention locking wire to prevent loosening



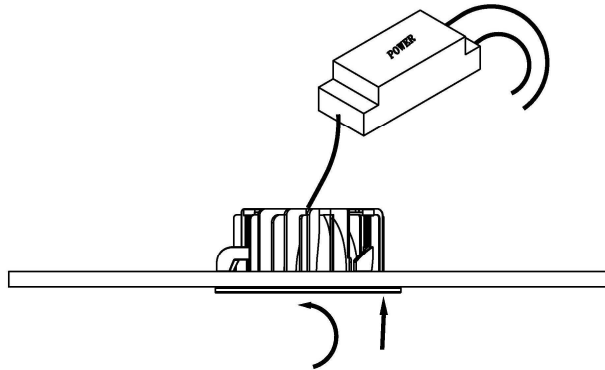
9. Take off the front cover , pushing the downlight into the ceiling.



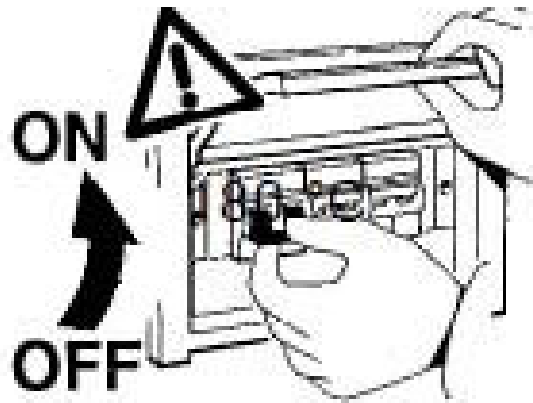
10. After pushing the driver inside the ceiling, First counterclockwise to loosen the ears, then clockwise to tighten the ears onto the ceiling ,



12. Fix the front cover on again
(clockwise to tighten);



13. Turn on the power ,and check if the
lamp is work on normal.



Note: To take off the lamp, firstly turn off the power, remove the front cover, then loosen the ears, make it toward the inner side, Be careful not to use too much force, in case damage the ceiling or pulled wires and drives.

● Safety Attention:

- a. Please do not hit or press it with heavy substance.
- b. Please Handle and transport gently
- c. Please do not touch and twist the light when power is on.
- a. Please do not exceed the operating voltage range.
- d. please do not replace the driver with others, as it is specially designed driver,
- e. Please do not cover the lamp by any materials, as it will effect the heat-dissipation
- f. Please clean only with soft cloth , do not clean with any corrosive material
- g. Please install the lamp by a qualified electrician, electrical wiring request meet IEE standards or national standards

● Quality Warranty and After Sell Service:

- a. Quality guarantee is based on storing, installing, operating and maintaining correctly in the normal operation condition.
- b. It is not included in our maintaining range when installing inappropriately, breaking the operating rules, and leading to the products damaging.
- c. Our company will maintain the right to either repair, parts replacing, or products exchange during the quality warranty period.